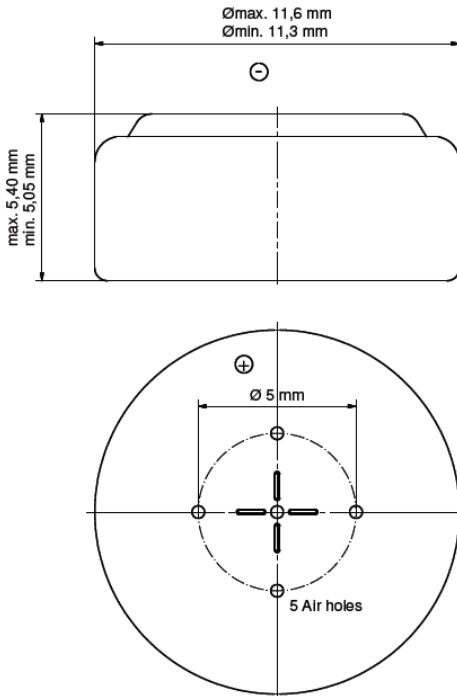


## Data sheet p675 I – IMPLANT *plus*



### Specifications:

Chemical system:	Zinc / Air
Type number:	24602
Nominal voltage:	1,45 V
IEC Implant low drain Capacity:	477mAh*
Impedance:	4 $\Omega$ @ 1kHz
Weight:	approx 0,62 g
Volume:	approx 0,55 ccm
Storage:	10 - 30° C / 20 - 80 % r.h.
Operating:	0 - 45° C / 25 - 70 % r.h.
Short Exposition:	-10 - +65° C / 5 - 95 % r.h.

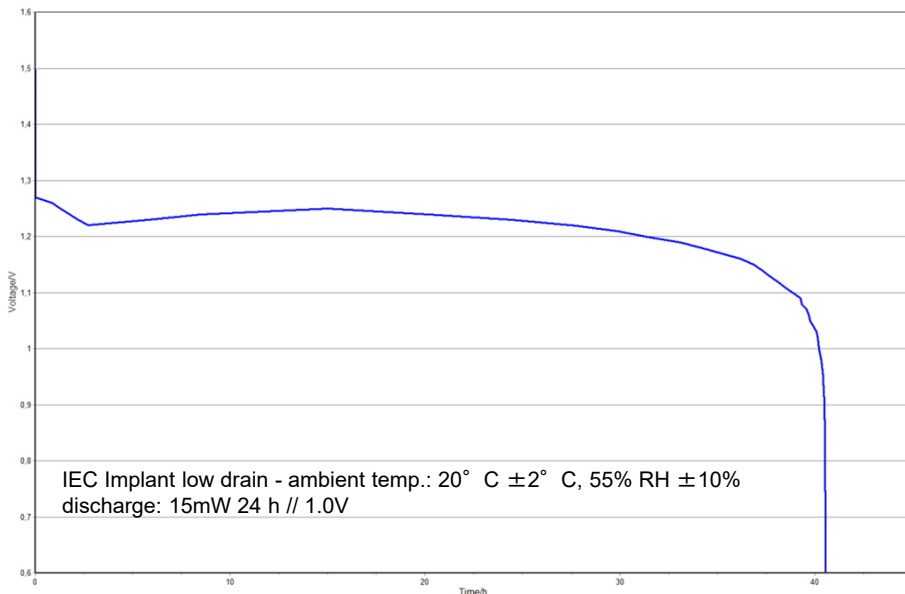
\*IEC Implant low drain test according to IEC 60086-2:2021

### Dimensions:

according to IEC 60086-2:2021

IEC: PR 1154

### Discharge characteristics:



VARTA Microbattery GmbH  
 VARTA-Platz 1  
 D 73479 Ellwangen  
 Tel.: +49 7961 9212 0  
 www.varta-microbattery.com

The intended purpose of zinc/air cells is the use as energy source in hearing aids. Thus they are medical devices in the sense of various Medical Device Regulations. Guidelines for safe handling as well as other important safety information can be obtained from our Safety Data Sheet (download from [www.powerone-batteries.com](http://www.powerone-batteries.com)). This data is subject to change without prior notice. Performance information is typical. Contact VARTA for latest information. Date of issue: June 2021